

## **ACOUSTI-SEAL® ENCORE® SERIES TECHNICAL DATA**

### **THE ACOUSTI-SEAL® ENCORE® PAIRED PANEL SYSTEM**

- Optimal choice for straight-line openings that do not require multiple locations or offset storage
- Panels are hinged together in groups of two and provide quick and easy setup
- Carrier is located in the center of each panel, therefore no auxiliary storage track or support is required
- Ideally suited for applications that require exceptional durability, acoustic control, and frequent use
- Stored at either or both ends of an opening for added storage flexibility
- Paired panels are used to divide classrooms, conference or meeting rooms, and office space

### **Modernfold Model**

Acousti-Seal® Encore® - Paired Panel

Flat Panels, Paired Panel Operation

This specification along with product information and model details can be downloaded from [www.modernfold.com](http://www.modernfold.com)  
**SPECIFICATION - SECTION 10 22 26 (10650) OPERABLE PARTITIONS**

### **PART 1 - GENERAL**

#### **1.1 RELATED DOCUMENTS**

A. Drawings and general provisions of the Contract including General and Supplementary Conditions and Division 01 Specification Sections, apply to this Section.

#### **1.2 SUMMARY**

- A. This Section includes the following:
1. Manually operated, paired panel operable partitions.
- B. Related Sections include the following:
1. Division 03 Sections for concrete tolerances required.
  2. Division 05 Sections for primary structural support, including pre-punching of support members by structural steel supplier per operable partition supplier's template.
  3. Division 06 Sections for wood framing and supports, and all blocking at head and jambs as required.
  4. Division 09 Sections for wall and ceiling framing at head and jambs.

#### **1.3 QUALITY ASSURANCE**

- A. Installer Qualifications: An experienced installer who is certified in writing by the operable partition manufacturer, as qualified to install the manufacturer's partition systems for work similar in material, design, and extent to that indicated for this Project.
- B. Acoustical Performance: Test operable partitions in an independent acoustical laboratory in

accordance with ASTM E90 test procedure to attain no less than the STC rating specified. Provide a complete and unedited written test report by the testing laboratory upon request.

C. Preparation of the opening shall conform to the criteria set forth per ASTM E557 Standard Practice for Architectural Application and Installation of Operable Partitions.

#### **1.4 SUBMITTALS**

- A. Product Data: Material descriptions, construction details, finishes, installation details, and operating instructions for each type of operable partition, component, and accessory specified.
- B. Shop Drawings: Show location and extent of operable partitions. Include plans, elevations, sections, details, attachments to other construction, and accessories. Indicate dimensions, weights, conditions at openings, and at storage areas, and required installation, storage, and operating clearances. Indicate location and installation requirements for hardware and track, including floor tolerances required and direction of travel. Indicate blocking to be provided by others.
- C. Setting Drawings: Show imbedded items and cutouts required in other work, including support beam punching template.
- D. Samples: Color samples demonstrating full range of finishes available by architect. Verification samples will be available in same thickness and material indicated for the work.

## **ACOUSTI-SEAL® ENCORE® SERIES TECHNICAL DATA**

### **1.5 DELIVERY, STORAGE, AND HANDLING**

- A. Clearly mark packages and panels with numbering systems used on Shop Drawings. Do not use permanent markings on panels.
- B. Protect panels during delivery, storage, and handling to comply with manufacturer's direction and as required to prevent damage.

### **1.6 WARRANTY**

- A. Provide written warranty by manufacturer of operable partitions agreeing to repair or replace any components with manufacturing defects.
- B. Warranty period: Three (3) years.

## **PART 2 – PRODUCTS**

### **2.1 MANUFACTURERS, PRODUCTS, AND OPERATION**

- A. Manufacturers: Subject to compliance with requirements, provide products by the following:
  - 1. Modernfold, Inc.
- B. Products: Subject to compliance with the requirements, provide the following product:
  - 1. Acousti-Seal® Encore® – Paired Panel: Manually operated paired panel operable partition.

### **2.2 OPERATION**

- A. Acousti-Seal® Encore® – Paired Panel: Series of paired flat panels hinged together in pairs, manually operated, top supported with operable floor seals and automatic top seals.
- B. Final Closure:
  - 1. Horizontally expanding panel edge with removable crank.

### **2.3 PANEL CONSTRUCTION**

- A. Nominal 4-1/4-inch (108 mm) thick panels in manufacturer's standard 51-inch (1295 mm) widths. All panel horizontal and vertical framing members fabricated from minimum 16-gage formed steel with overlapped and welded corners for rigidity. Top channel is reinforced to support suspension system components. Frame is designed so that full vertical edges of panels are of formed steel and provide concealed protection of the edges of the panel skin.
- B. Panel Skin Options:
  - 1. Roll-formed steel wrapping around panel edge. Panel skins shall be lock formed and welded directly to the frame for unitized construction. Acoustical ratings of panels with this construction:
    - a. 52 STC
    - b. 54 STC
    - c. 56 STC
- C. Hinges for Panels, Pass Doors, and Pocket Doors shall be (select one):

- 1. Full leaf butt hinges, attached directly to panel frame with welded hinge anchor plates within panel to further support hinge mounting to frame. Lifetime warranty on hinges. Hinges mounted into panel edge or vertical astragal are not acceptable.
- 2. SOSS® Invisible laminated hinge with antifriction segments mounted between each heat-treated link. Hinge to be attached directly to panel frame. Welded internal hinge bracket shall support the hinge and allow for adjustment of hinge plates. Concealed hinges mounted into panel edge or vertical astragal are not acceptable.
- D. Panel Trim: No vertical or horizontal trim required or allowed on edges of panels; minimal groove appearance at panel joints.
- E. Panel Weight:
  - 1. Steel Skin
    - a. 52 STC – 8.2 lbs./square foot
    - b. 54 STC – 9.5 lbs./square foot
    - c. 56 STC – 11.9 lbs./square foot

### **2.4 PANEL FINISHES**

- A. Panel face finish shall be (select as required):
  - 1. Reinforced vinyl with woven backing weighing not less than 21 ounces per lineal yard.
  - 2. Reinforced heavy duty vinyl with woven backing weighing not less than 30 ounces per lineal yard.
  - 3. Acoustical, non-woven needle punch carpet, with fused fibers to prevent unraveling or fray of material.
  - 4. Wall covering and upholstery fabric with surface treatment to resist stains.
  - 5. Customer's own material (subject to factory approval).
  - 6. Full height steel markerboard work surface.
  - 7. Full height 1/4-inch (6.35 mm) natural cork tackboard with vinyl or fabric covering.
  - 8. Uncovered for field finishing.
  - 9. Primed for field finishing.
- B. Panel Trim: No exposed panel trim required or allowed, hardware to be of one consistent color (select one):
  - 1. Dark Bronze
  - 2. Smoke Gray
  - 3. Natural Choice

### **2.5 SOUND SEALS**

- A. Vertical Interlocking Sound Seals between panels: Roll-formed steel astragals, with tongue and groove configuration in each panel edge. Rigid plastic or aluminum astragals are not acceptable.
- B. Horizontal Top Seals shall be Modernfold SureSet™

## **ACOUSTI-SEAL® ENCORE® SERIES TECHNICAL DATA**

automatic operable top seals, manually operated operable top seals not required or permitted.

- C. Horizontal Bottom Seals shall be Modernfold SureSet™ bottom seal (select one):
1. SA2 - Automatic bottom seals providing nominal 2-inch (51 mm) operating clearance with an operating range of +1/2-inch (13 mm) to -1-1/2-inch (38 mm) which automatically drop as panels are positioned, without the need for tools or cranks. Extended seal shall exert nominal 120 pounds (265 kg) downward force to the floor throughout operating range.
  2. SA4 - Automatic bottom seals providing nominal 4-inch (102 mm) operating clearance with an operating range of +1/2-inch (13 mm) to -3-1/2-inch (89 mm) which automatically drop as panels are positioned, without the need for tools or cranks. Extended seal shall exert nominal 120 pounds (265 kg) downward force to the floor throughout operating range.
  3. SM2 - Manually activated seals providing nominal 2-inch (51 mm) operating clearance with an operating range of +1/2-inch (13 mm) to -1-1/2-inch (38 mm). Seal shall be operable from panel edge or face. Extended seal shall exert nominal 120 pounds (265 kg) downward force to the floor throughout operating range.
  4. SM4 - Manually activated bottom seals providing nominal 4-inch (102 mm) operating clearance with an operating range of +1/2-inch (13 mm) to -3-1/2-inch (89 mm). Seal shall be operable from panel edge or face. Extended seal shall exert nominal 120 pounds (265 kg) downward force to the floor throughout operating range.

### **2.6 SUSPENSION SYSTEM (select one)**

- A. #17 Suspension System
1. Suspension Tracks: Minimum 11-gage, 0.12-inch (3.04 mm) roll-formed steel track, supported by adjustable steel hanger brackets, supporting the load-bearing surface of the track, connected to structural support by pairs of 3/8-inch (9.5 mm) diameter threaded rods. Aluminum track is not acceptable.
    - a. Exposed track soffit: Steel, integral to track, and pre-painted off-white.
  2. Carriers: One all-steel trolley with steel-tired ball bearing wheels per panel (except hinged panels). Non-steel tires are not acceptable.

- OR -

#### B. #14 Suspension System

1. Suspension Tracks: Minimum 7-gage, 0.18-inch (4.57mm) roll-formed steel. Track

shall be supported by adjustable steel hanger brackets connected to structural support pairs of 1/2-inch (13 mm) diameter threaded rods. Brackets must support the load bearing surface of the track.

- a. Exposed track soffit: Steel, removable for service and maintenance, attached to track bracket without exposed fasteners, and pre-painted off-white.

2. Carriers: One all-steel trolley with steel-tired ball bearing wheels per panel (except hinged panels). Non-steel tires are not acceptable.

- OR -

#### C. #30 Suspension System

1. Suspension Tracks: Track shall be structural aluminum. Track shall be supported by adjustable steel hanger brackets connected to structural support by pairs of 3/8-inch (9.5 mm) diameter threaded rods.
  - a. Exposed track soffit: Track soffit to be integral to track shape and shall be powder-coated off-white paint finish. Track must accommodate termination of plenum sound barriers on both sides of track for maximum sound control.
2. Carriers: One trolley per panel with 3-inch (76 mm) diameter glass-reinforced nylon all steel precision-ground ball-bearing wheels. Steel-wheeled or reinforced polymer trolleys on aluminum track not permitted. Trolleys shall attach to panels with 1/2-inch (13 mm) diameter pendent bolt mounted to welded steel mounting plate.

- OR -

- D. Modernfold Truss System: Pre-fabricated, self-supporting header system for the support of operable partitions. (For complete specification see Modernfold Truss System brochure Form #2600)

### **2.7 OPTIONS**

#### A. Single Pass Doors:

1. Matching pass door same thickness and appearance as panels. ADA compliant pass door to be trimless and equipped with friction latch and flush pulls for panic operation. No threshold will be permitted.
2. Hardware:
  - a. Hand pull with push plate.
  - b. Lever handles both sides of door
  - c. Panic hardware with or without locking lever handle.

## ACOUSTI-SEAL® ENCORE® SERIES TECHNICAL DATA

- d. Automatic door closer.
- e. Self-illuminated exit signs.
- B. Work Surfaces:
  - 1. Markerboard: White enamel on steel, bonded to the face of the panel with horizontal trim without exposed fasteners. Trim is not acceptable on vertical edges to provide uninterrupted work surface.
  - 2. Tackboard: Minimum 1/4-inch (6.35 mm) natural cork, covered with vinyl or fabric, with horizontal trim without exposed fasteners. Trim is not acceptable on vertical edges.
- C. Available Accessories/Options:
  - 1. Pocket Doors: Acousti-Seal® Pocket Doors by Modernfold, Inc., with same finish and appearance as the adjacent panels.
  - 2. Intersecting partition interface.

### PART 3 – EXECUTION

#### 3.1 INSTALLATION

- A. General: Comply with ASTM E557, operable partition manufacturer's written installation instructions, Drawings and approved Shop Drawings.
- B. Install operable partitions and accessories after other finishing operations, including painting have been completed.
- C. Match operable partitions by installing panels from marked packages in numbered sequence indicated on Shop Drawings.
- D. Broken, cracked, chipped, deformed or unmatched panels are not acceptable.

#### 3.2 CLEANING AND PROTECTION

- A. Clean partition surfaces upon completing installation of operable partitions to remove dust, dirt, adhesives, and other foreign materials according to manufacturer's written instructions.
- B. Provide final protection and maintain conditions in a manner acceptable to the manufacturer and installer that insure operable partitions are without damage or deterioration at time of Substantial Completion.

#### 3.3 ADJUSTING

- A. Adjust operable partitions to operate smoothly, easily, and quietly, free from binding, warp, excessive deflection, distortion, nonalignment, misplacement, disruption, or malfunction, throughout entire operational range. Lubricate hardware and other moving parts.

#### 3.4 EXAMINATION

- A. Examine flooring, structural support, and opening, with Installer present, for compliance with requirements for installation tolerances and other conditions affecting performance of operable partitions. Proceed with installation only after unsatisfactory conditions have been corrected.

#### 3.5 DEMONSTRATION

- A. Demonstrate proper operation and maintenance procedures to Owner's representative.
- B. Provide Operation and Maintenance Manual to Owner's representative.

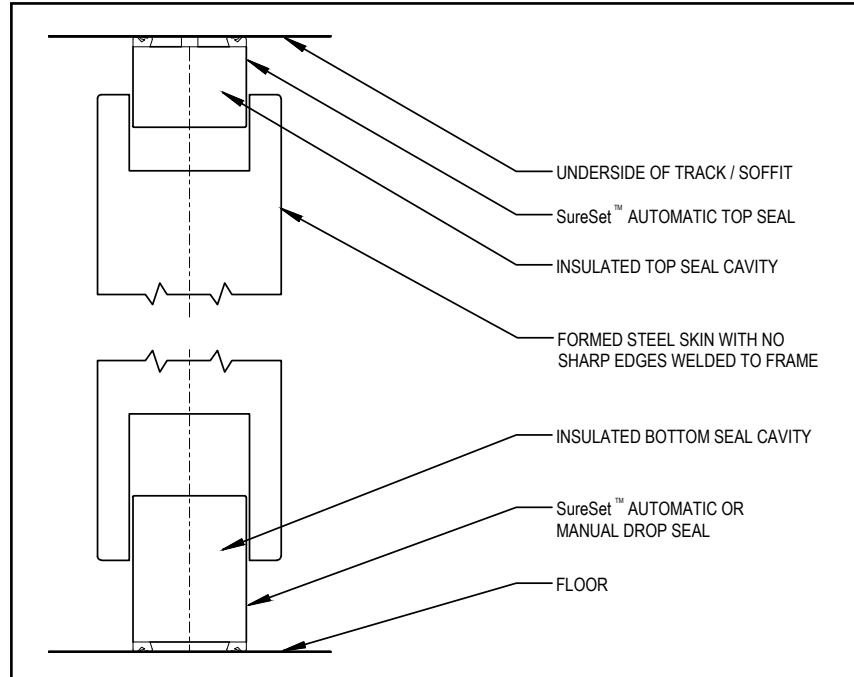
## STC CONSTRUCTION AND TRACK SYSTEM HEIGHT LIMITATIONS

Acousti-Seal® Encore®	52 STC	54 STC	56 STC
#17 Bracket Mounted Track	17'-4" (5283 mm)	17'-4" (5283 mm)	15'-4" (4674 mm)
#14 Bracket Mounted Track	24'-4" (7416 mm)	24'-4" (7416 mm)	24'-4" (7416 mm)
#30 Bracket Mounted Track	16'-4" (4978 mm)	12'-4" (3759 mm)	10'-4" (3150 mm)

## ACOUSTI-SEAL® ENCORE® SERIES TECHNICAL DATA STEEL SKIN PANEL CONSTRUCTION

### Acousti-Seal® Encore® Panel Section Frame Details

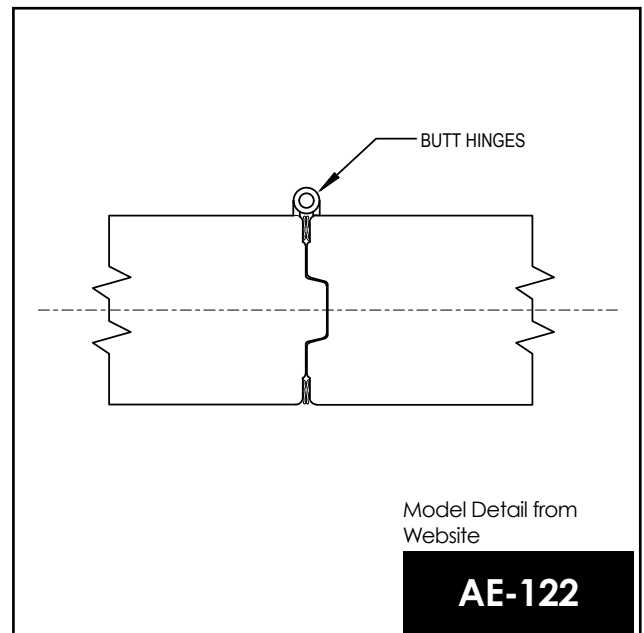
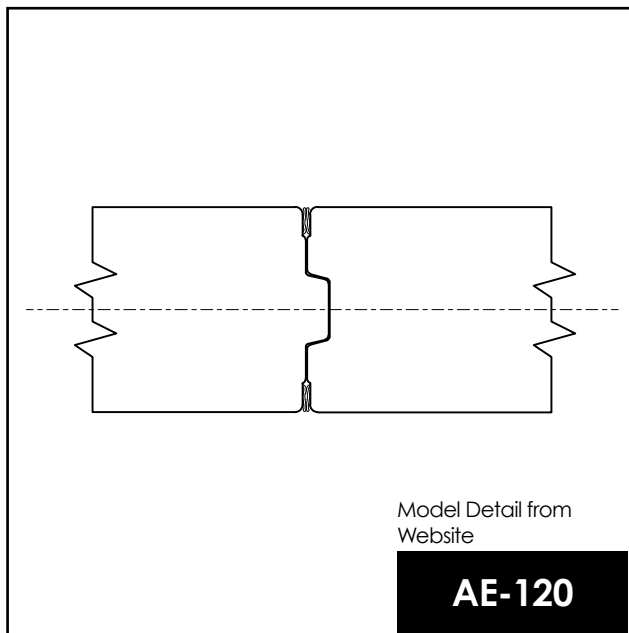
PANEL DETAILS ARE NOT TO SCALE



### Acousti-Seal® Encore® Standard Panel Joint

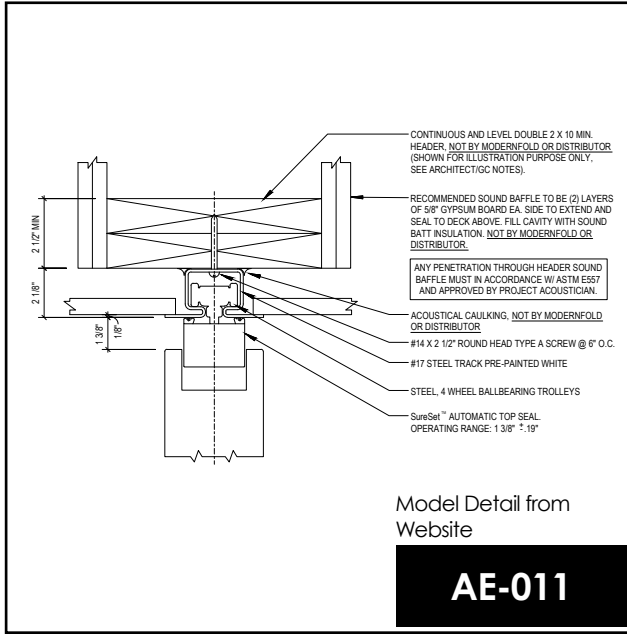
Roll-formed skin wraps completely around the edge of vertical 16-gage steel channel and is locked in place, eliminating any sharp edges and creating a unitized panel. The outer covering is secured under the aluminum astragal to prevent peeling.

Heavy steel hinges are mounted directly to the center of the vertical frame channel, not simply on the outside edge of the panel. Steel plates on the back of the channel prevent buckling or bending and provide the strongest hinged connection.

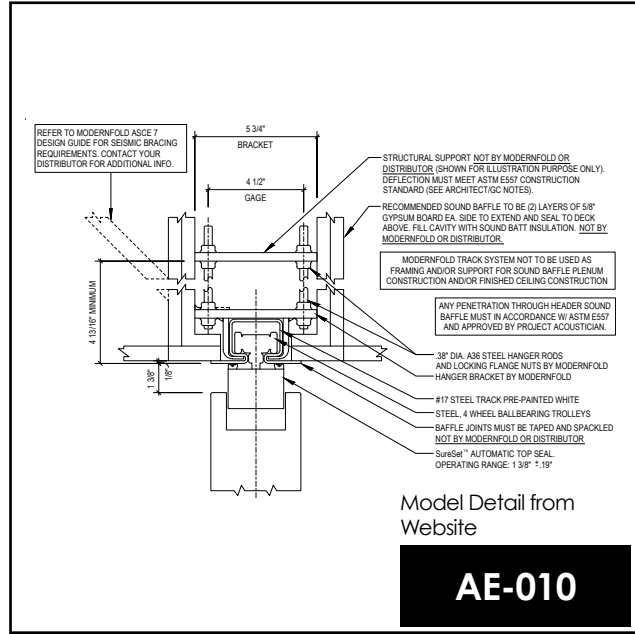


**ACOUSTI-SEAL® ENCORE® SERIES TECHNICAL DATA**  
**SUSPENSION SYSTEM OPTIONS**

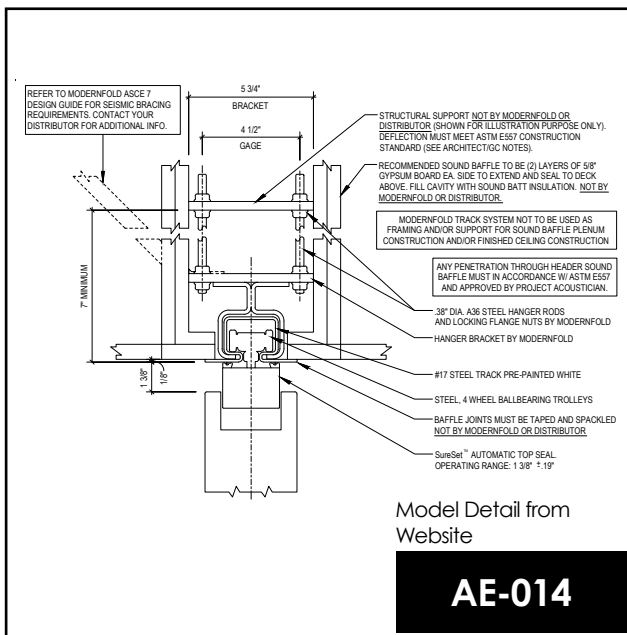
#17 Track System Direct Mount



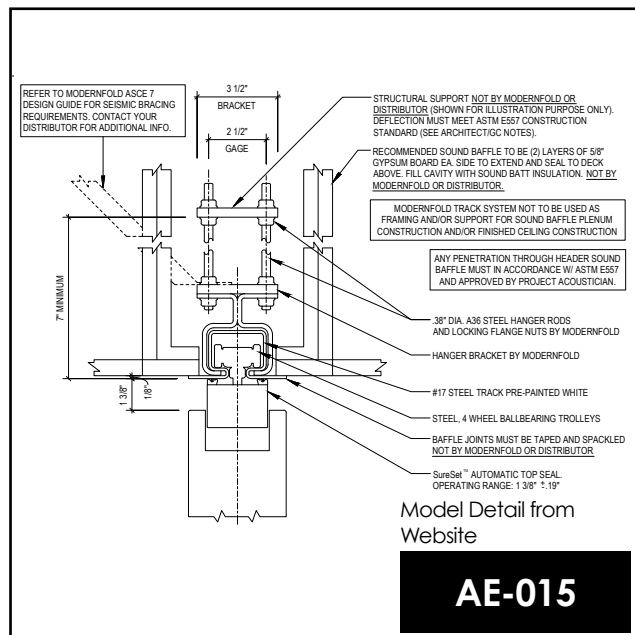
#17 Track System Bracket Mount



#17 Track System Bracket Mount Heavy-Duty 4.50"



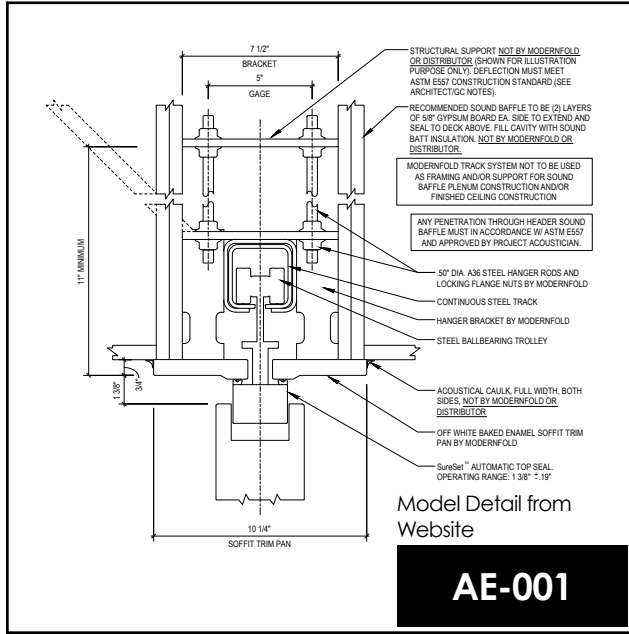
#17 Track System Bracket Mount Heavy-Duty 2.50"



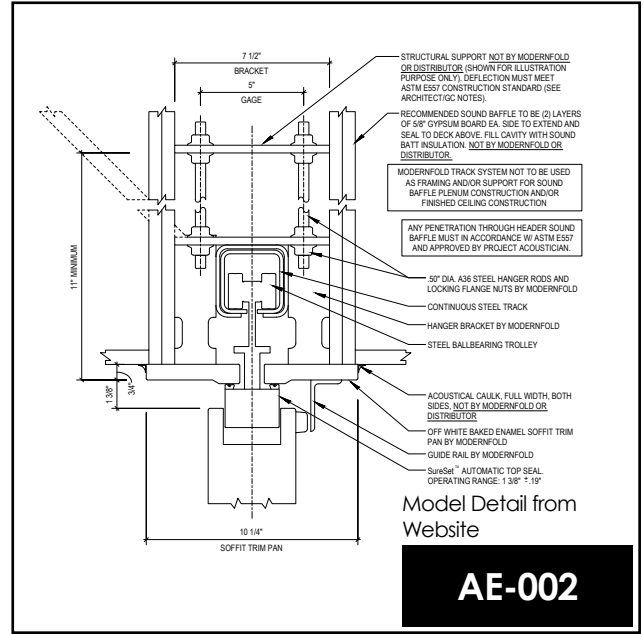


**ACOUSTI-SEAL® ENCORE® SERIES TECHNICAL DATA**  
**SUSPENSION SYSTEM OPTIONS**

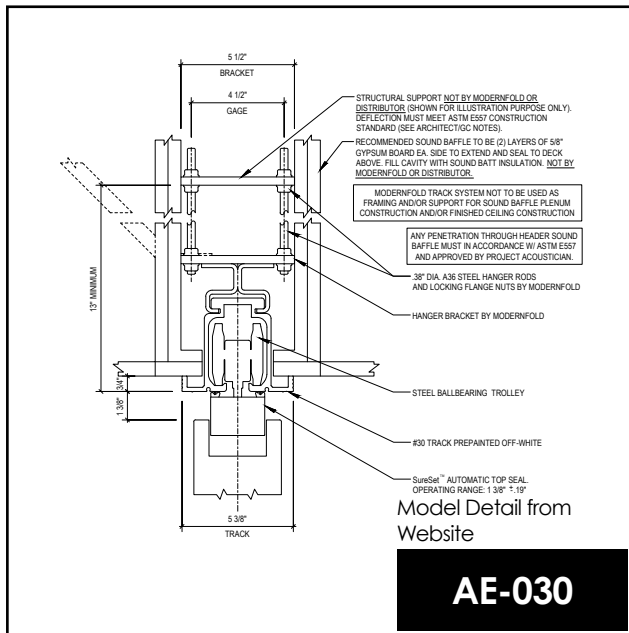
#14 Track System Bracket Mount



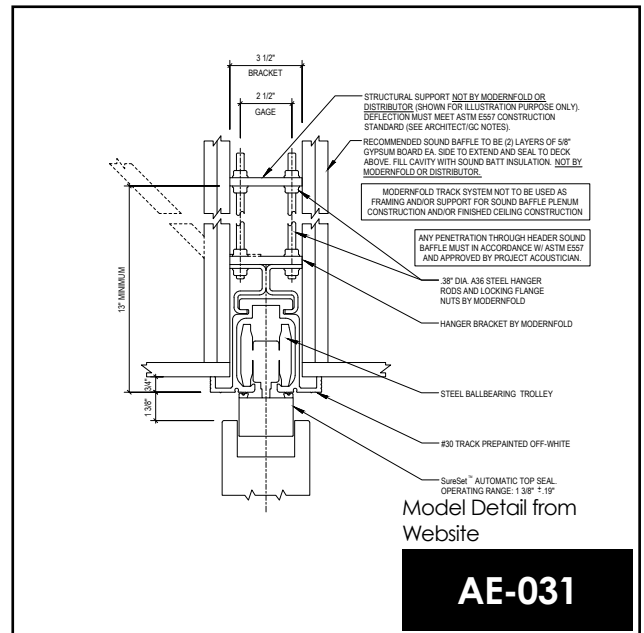
#14 Track System Bracket Mount with Guide Rail



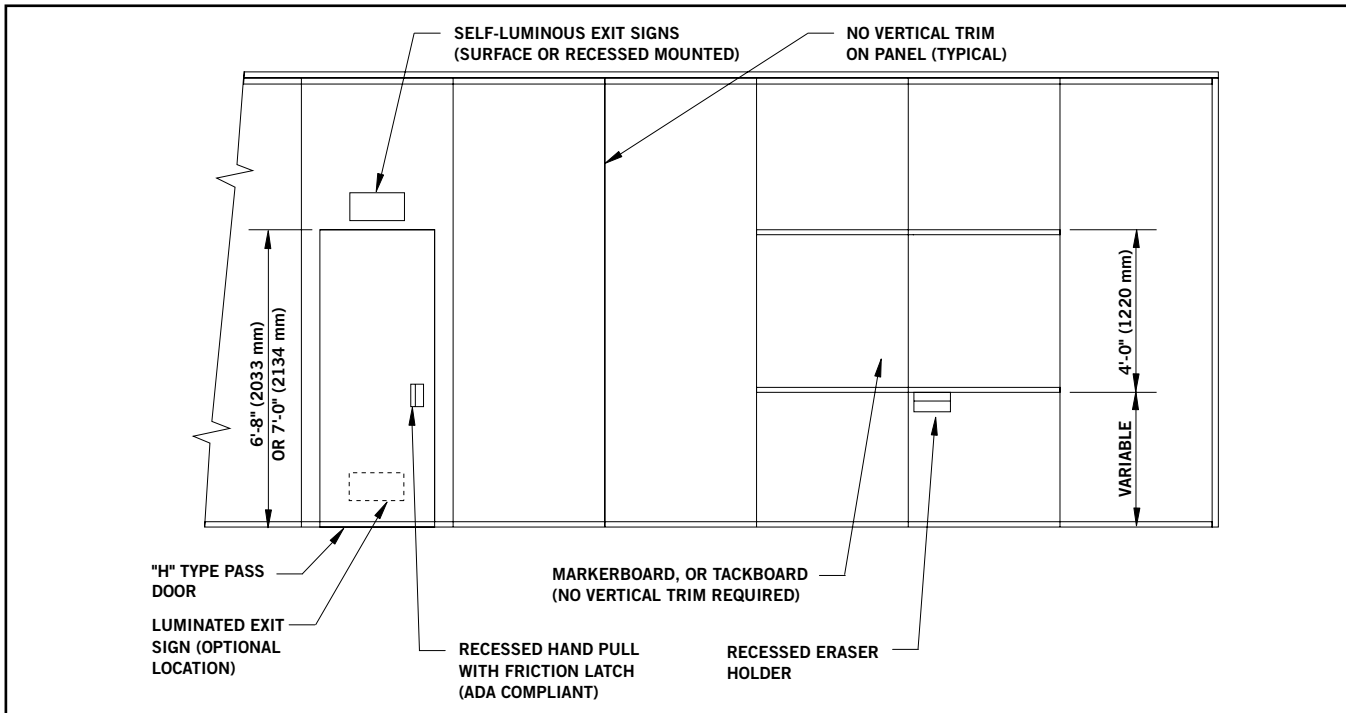
#30 Track System Bracket Mount 4.50"



#30 Track System Bracket Mount 2.50"

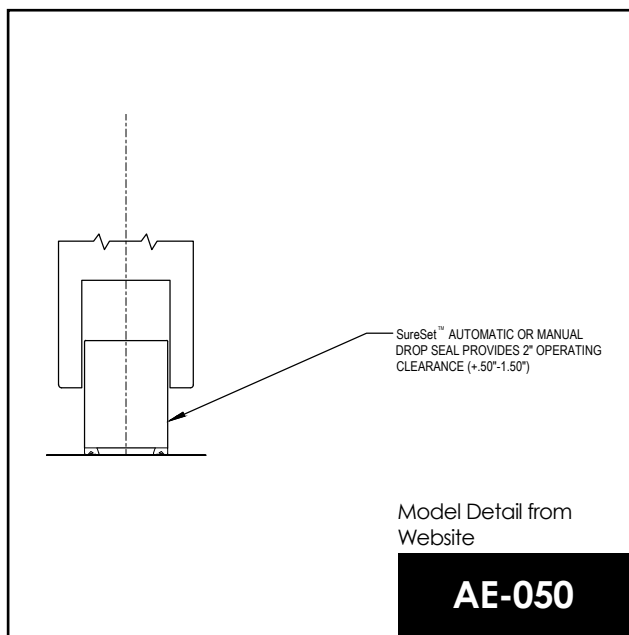


## ACOUSTI-SEAL® ENCORE® SERIES TECHNICAL DATA PANEL, WORK SURFACE, AND PASS DOOR OPTIONS

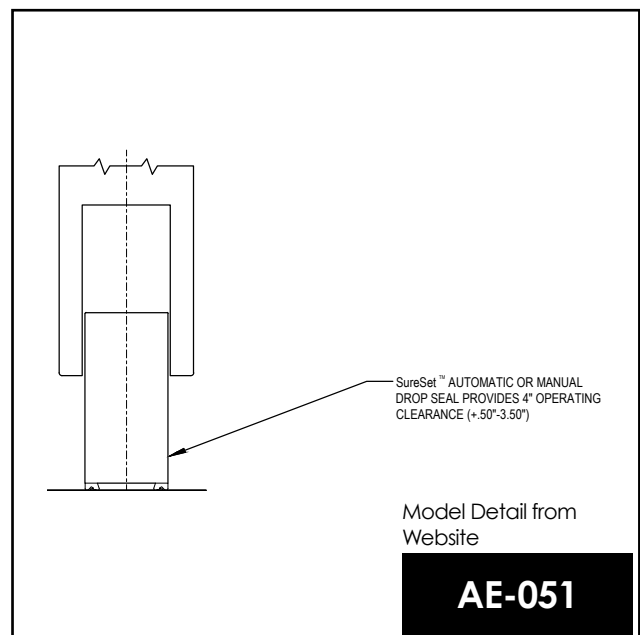


### FLOOR SEAL OPTIONS

SureSet™ 2-inch Automatic or 2-inch Manual Seal



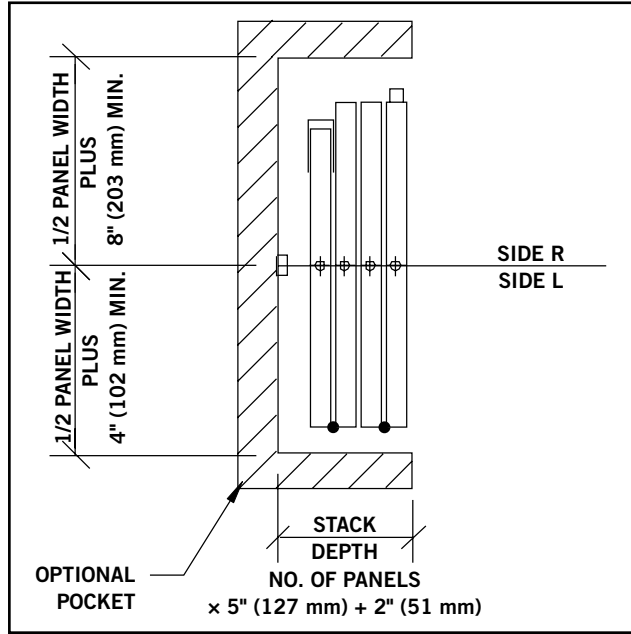
SureSet™ 4-inch Automatic or 4-inch Manual Seal



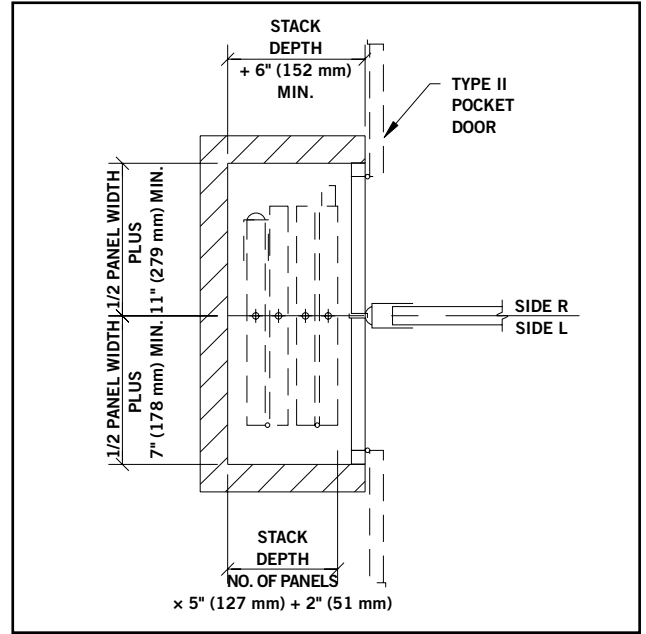


**ACOUSTI-SEAL® ENCORE® SERIES TECHNICAL DATA**  
**POCKET ENCLOSURE AND STACKING OPTIONS**

Expandable Jamb Closure

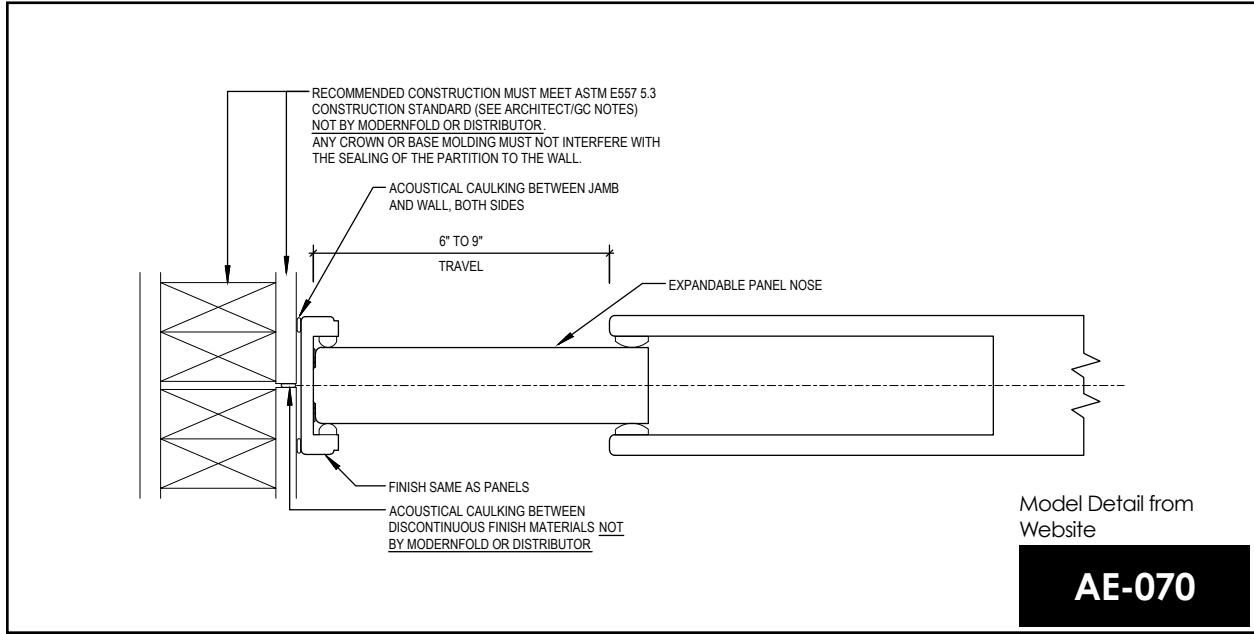


Remote Expandable Jamb Closure

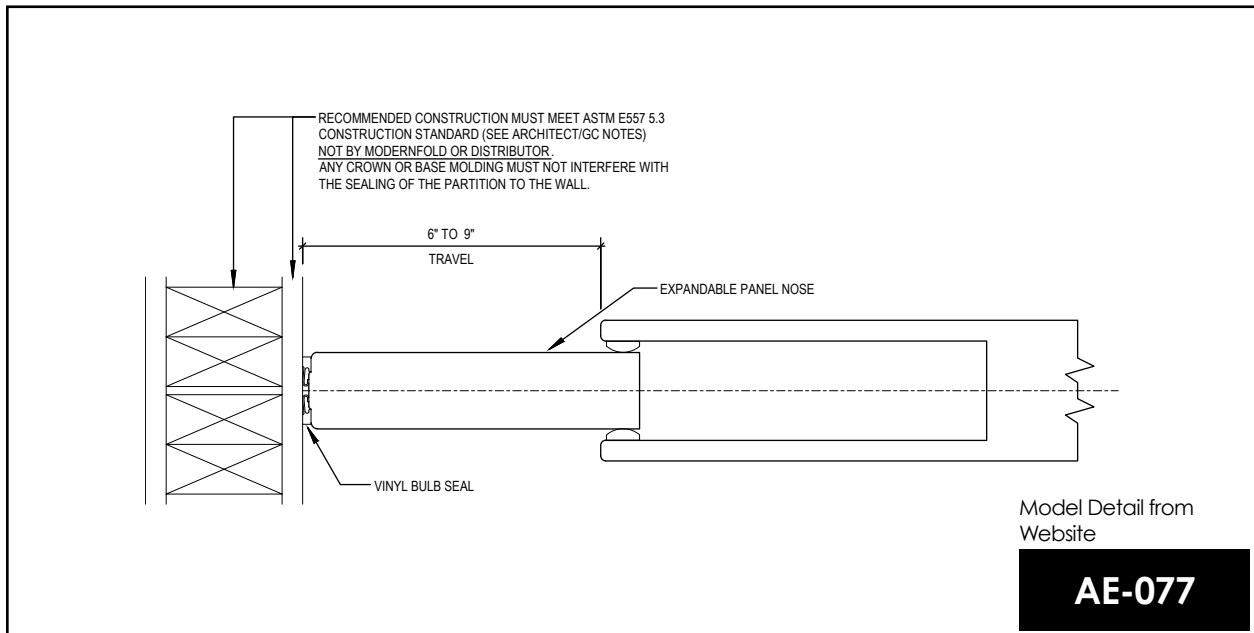


## ACOUSTI-SEAL® ENCORE® SERIES TECHNICAL DATA PANEL CROSS SECTIONS

9" Expandable Panel w/ Jamb

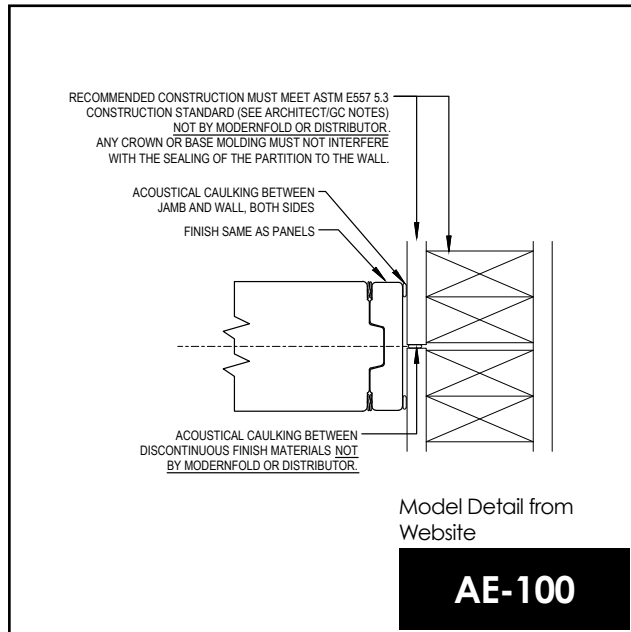


9" Expandable Panel w/ Bulb Seal

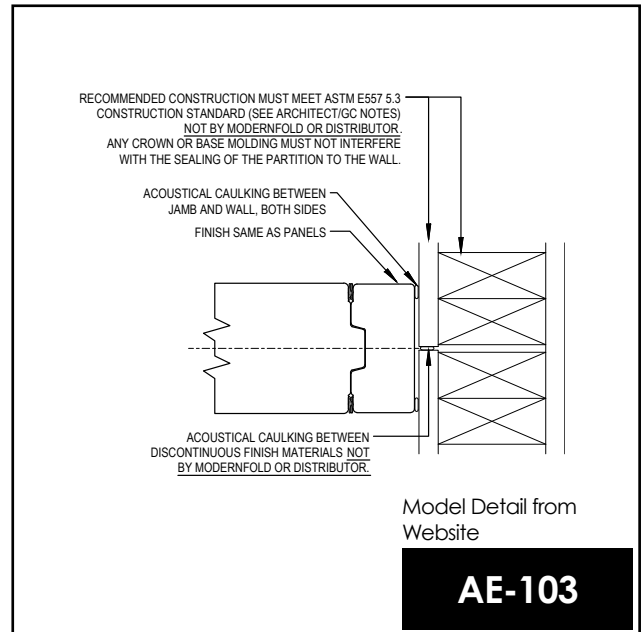


**ACOUSTI-SEAL® ENCORE® SERIES TECHNICAL DATA**  
**PANEL CROSS SECTIONS**

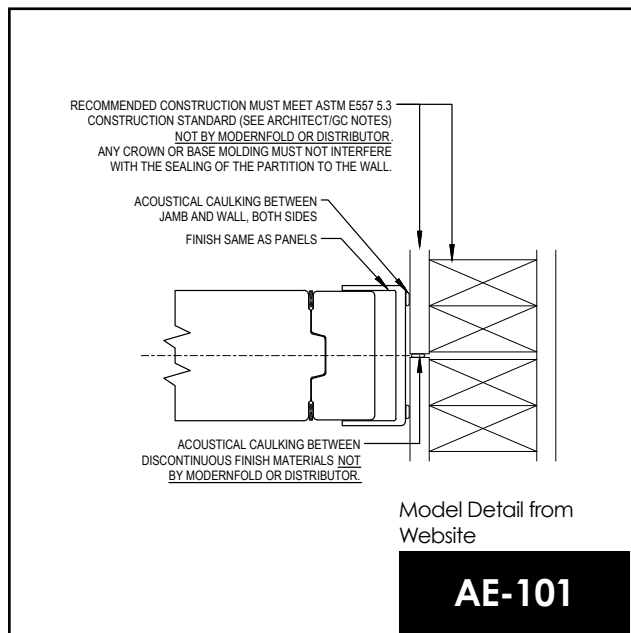
Nominal Fixed Jamb



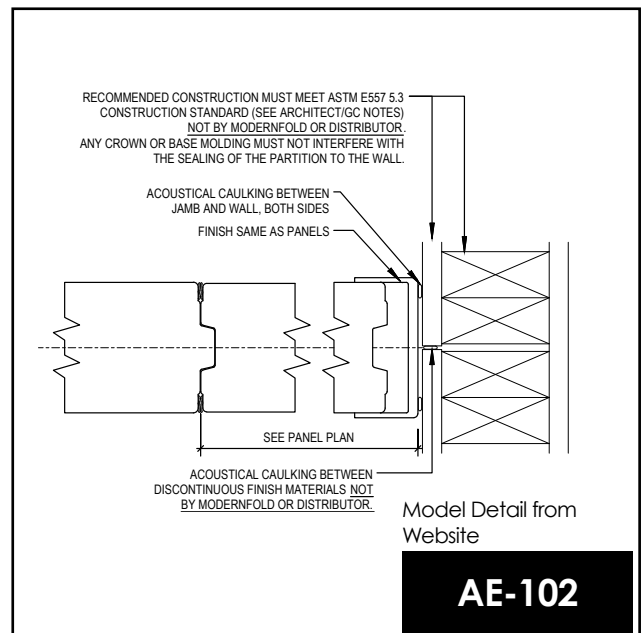
2" Fixed Jamb



3" Adjustable Jamb

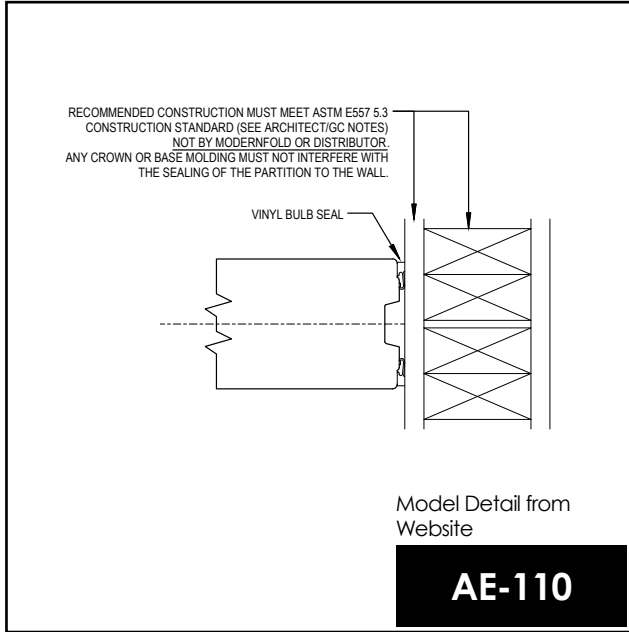


4"-6" Variable Fixed Jamb

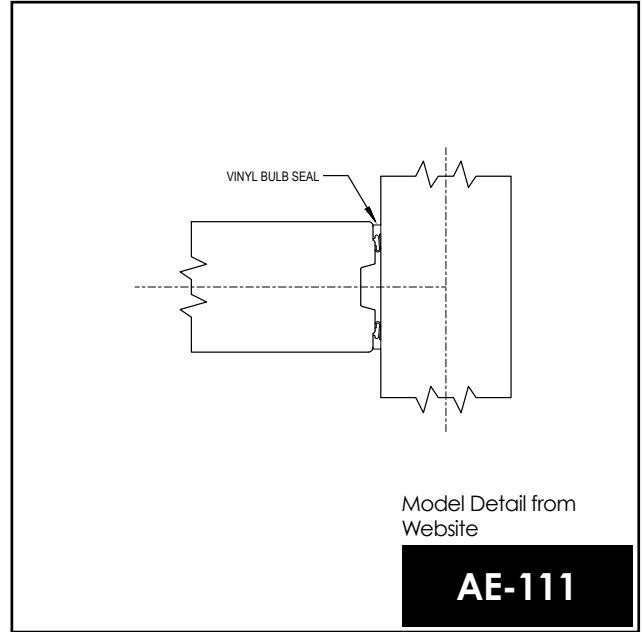


Model details (dwg), specifications, and product information available at [www.modernfold.com](http://www.modernfold.com).

**Bulb Seal**



**Bulb Seal and Intersection**



215 West New Road  
Greenfield, IN 46140

Tel: 800.869.9685

Email: [info@modernfold.com](mailto:info@modernfold.com)  
Website: [www.modernfold.com](http://www.modernfold.com)